

INSMDO42IRWF

2 x 4MP H265 IR Network Mini Dome Network Camera with AI+

AI+
Multi-Lens

- Two Independent 1/2.7" 4 Megapixel CMOS Sensors
- Triple-stream Encoding per each Channel
- AI Coding, H.265+ & H.264+ video compressing
- AI+ functions such as Area protector, People Counting & Face Detection
- Enhanced Starlight Technology for Low Light Sensitivity
- IP67 Ingress Protection and IK10 Vandal Resistance

Unify your Security Solution

This new function was made to improve drastically your surveillance system efficiency and reduce your false alarms count. Area Protector allows you to custom your tripwires based on a specific object such as pedestrians or vehicles. Combined with real-time alerts on your monitoring device, this function will be key for any zone surveillance.

Starlight Technology

Starlight Technology Improve your levels of security by using our Starlight technology. With its optical features, Starlight Technology will be able to balance all lighting throughout a scene. This will capture any colored details regardless of the lighting.

On-board Analytics

This camera responds accurately to specific events in a given area. Our algorithm enables Tripwire violations, intrusion detection, abandoned/missing objects and much more. Facilitate your viewing experience using on the edge analytics – one product, multiple features.



*Design and specifications are subjects to change without notice.



INSMD042IRWF

2 x 4MP H265 IR Network Mini Dome Network Camera with AI+

Product Specifications

Camera				
Image Sensor	Two 1/2.7" 4 Megapixel progressive CMOS			
Effective Pixels	2560(H) x 1440(V)			
RAM/ROM	1GB / 128MB			
Scanning System	Progressive			
Electronic Shutter Speed	Auto/Manual 1/3 s–1/100,000 s			
Minimum Illumination	0.005 Lux at F1.6 (Color, 30IRE); 0.0005 Lux at F1.6 (B/W, 30IRE) 0 Lux at F1.6 with IR on(Illuminator on)			
S/N Ratio	More than 56 dB			
IR Distance	30 m (98.4 ft)			
IR LEDs	8 LEDs per sensor, 16 total			
Camera Features				
Day/Night	Auto(ICR) / Color / B/W			
Backlight Compensation	BLC / HLC / True WDR / SSA			
White Balance	Auto / Natural / street lamp / Outdoor / Manual / Regional Custom			
Gain Control	Auto / Manual / Gain Priority / Shutter Priority			
Noise Reduction	3D DNR			
Smart Illumination	Supported			
Region of Interest	Yes (4 areas)			
Privacy Masking	4 areas			
Lens				
Lens Type	Fixed Lens			
Mount Type	M12			
Focal Length	2.8 mm			
Max. Aperture	F1.6			
Viewing Angle	Horizontal: 95° Vertical: 52° Diagonal: 114°			
DORI Distance	Detect	Observe	Recognize	Identify
	63.60 m (208.66 ft)	25.40 m (83.33 ft)	12.70 m (41.67 ft)	6.40 m (21.0 ft)
Video				
Compression	AI Coding / H.265+, H.265 / H.264+, H.264, H.264H, H.264B MJPEG (Sub Stream)			
Resolution	4 MP (2688 x 1520); 3 MP (2048 x 1536); 2304 x 1296; 1080p (1920 x 1080) 1.3 MP (1280 x 960); 720p (1280 x 720); D1 (704 x 480); VGA (640 x 480) CIF (352 x 240)			
Frame Rate	Main Stream: 2560 x 1440 at 30 fps (both channels)			
	Sub stream: 704x480 at 30fps (both channels)		Sub stream 2: 1920x1080 at 30fps (both channels)	
Bit Rate	H.264: 32 to 8192 Kbps H.265: 12 to 8192 Kbps			

*Design and specifications are subjects to change without notice.



INSMDO42IRWF

2 x 4MP H265 IR Network Mini
Dome Network Camera with AI+

Product Specifications

Audio	
Audio Compression	PCM, G.711a, G.711Mu, G.726, G.723
Audio I/O	1/1 RCA ports; Built-in Microphone
Alarm	
Alarm I/O	2 channel in: 5mA 3V–5 VDC 2 channels out: 300mA 12 VDC
Network	
Network	RJ-45 (10/100 Base-T)
Cyber Security	Video encryption; firmware encryption; configuration encryption; Digest; WSSE; account lockout; security logs; IP/MAC filtering; generation and importing of X.509 certification; syslog; HTTPS; 802.1x; trusted boot; trusted execution; trusted upgrade
Storage	NAS; SFTP; FTP; Micro SD Card up to 256 GB
Management Software	STORM, STORM+, ARKIV
Protocol	IPv4; IPv6; HTTP; TCP; UDP; ARP; RTP; RTSP; RTCP; RTMP; SMTP; FTP; SFTP; DHCP; DNS; DDNS; QoS; UPnP; NTP; Multicast; ICMP; IGMP; NFS; SAMBA; PPPoE; SNMP
Compatibility	ONVIF Profile S, G, T; CGI; P2P; Milestone; API; SDK
Maximum User Access	20
General	
Power Supply	12 VDC or PoE (IEEE 802.3af, Class 0)
Power Consumption	12 VDC: Less than 6.6W PoE: Less than 8W
Working Environment	–40 °C to +60 °C (–40 °F to +140 °F); Less than 95% RH
Protection Grade	IP67; IK10
Dimensions	ø122.0 mm x 66.20 mm (4.79 in. x 2.61 in.)
Weight	1.15 lbs (0.52 kg)

*Design and specifications are subjects to change without notice.



INSMDO42IRWF

2 x 4MP H265 IR Network Mini
Dome Network Camera with AI+

Product Specifications

AI+ Analytics	
Area Protector	<ul style="list-style-type: none">• Detects human violations using the following methods: Tripwire: Subject crosses a defined line. Intrusion: Subject enters or exits a defined area.• Monitors a combination of detection methods
People Counting	<ul style="list-style-type: none">• Delivers accurate flow statistics from the following methods: Line Crossing: Counts a person as they cross a threshold in a defined direction. Region: Counts the number of people in a defined area.• Counts people simultaneously from four (4) threshold lines and four (4) defined regions.
Queue Management	Monitors four (4) user-defined regions where people wait in line (or queue). Issues an alarm for the following triggers: People in Line: the number of people in line exceeds a minimum threshold. Wait Time: time a person waits in line is greater than the minimum queue time.
Smart Motion Detection+	<ul style="list-style-type: none">• Differentiates between and classifies human and vehicle objects.• Filters false alarms due to leaves, lights, animals, and other inconsequential objects.• Extracts human or vehicle objects from recorded video for quick target search and retrieval.
Face Detection	Detects and captures a snapshot of a human face in a defined area within a scene.
Intelligent Functions	
Standard Features	<ul style="list-style-type: none">• Tampering with the camera.• Error writing to an onboard Micro SD card.• Error sending or receiving data over the network.• Unauthorized access to the camera network.
Smart Features	<p>Motion Detection: An object moves through any part of the scene. Tampering: A person or object moves the camera to change the scene or covers the camera to obscure the scene. Abandoned/Missing Object: A target leaves an object in designated area, or a target removes an object from the same designated area. Speed detection: Target exceeds a set speed when exiting a defined area Parking Detection: Vehicle remains in a defined area without motion for a set period of time. Crowd Gathering: Specified number of people remain inside a defined area for a set time. Loitering Detection: Target is in motion inside a defined area longer than a specified amount of time.</p>

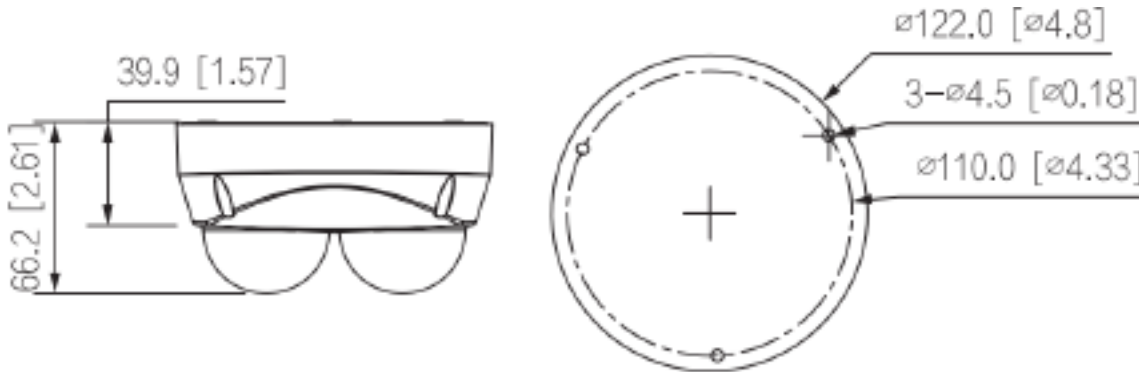
*Design and specifications are subjects to change without notice.



INSMDO42IRWF

2 x 4MP H265 IR Network Mini Dome Network Camera with AI+

Product Specifications



INSX137
Junction Box



INSX203
Wall Mount




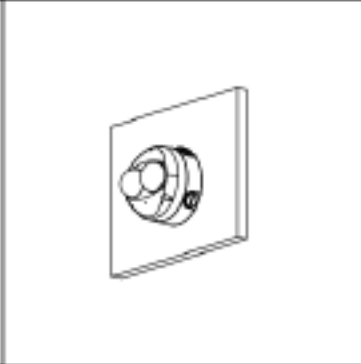
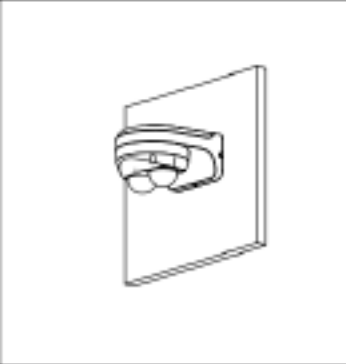
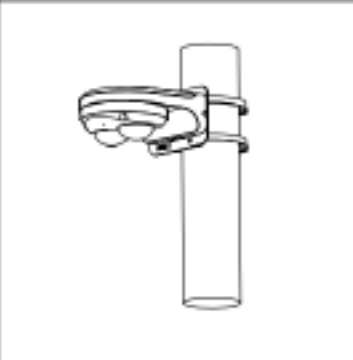

INSX152
Pole Mount



VUSD256G
Micro SD Card



INSX106
Mount Adapter

Junction Mount	Wall Mount	
INSX137	INSX137	INSX203
		
Pole Mount	Ceiling Mount	
INSX203 + INSX152	INSX106 + INSX220C	
		



INSX220C
Ceiling Mount

*Design and specifications are subjects to change without notice.

